

Alfa Laval T21

Gasketed plate heat exchanger for a wide range of applications

Introduction

Alfa Laval Industrial line is a wide product range that is used in virtually all types of industry.

Suitable for a wide range applications, this model is available with a large selection of plate and gasket types.

Applications

- Biotech and Pharmaceutical
- Chemicals
- Energy and Utilities
- Food and Beverages
- Home and Personal care
- HVAC and Refrigeration
- Machinery and Manufacturing
- Marine and Transportation
- Mining, Minerals and Pigments
- Pulp and Paper
- Semiconductor and Electronics
- Steel
- Water and Waste treatment

Benefits

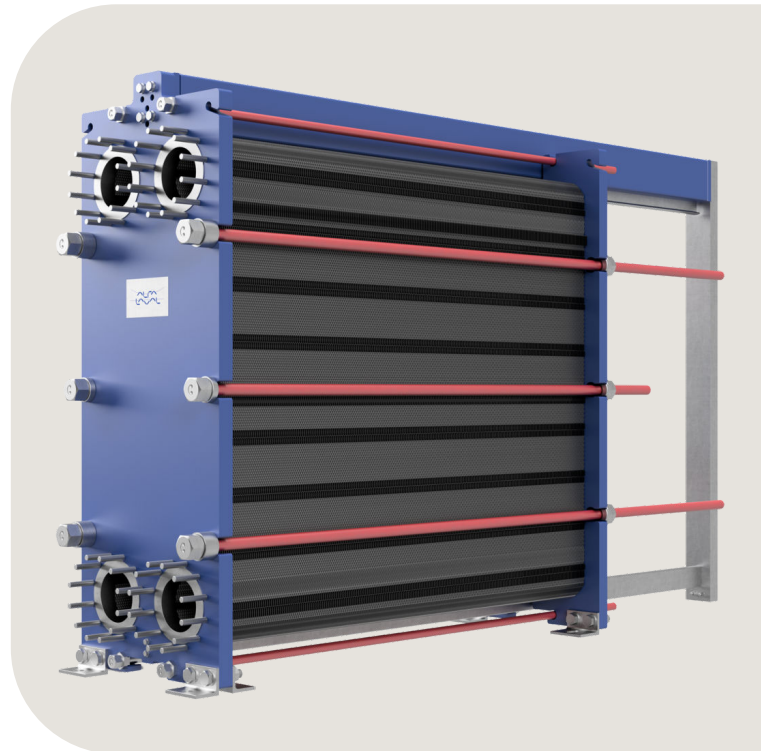
- High energy efficiency – low operating cost
- Flexible configuration – heat transfer area can be modified
- Easy to install – compact design
- High serviceability – easy to open for inspection and cleaning and easy to clean by CIP
- Access to Alfa Laval's global service network

Features

Every detail is carefully designed to ensure optimal performance, maximum uptime and easy maintenance. Selection of available features, depending on configuration some features may not be applicable:



- Five-point alignment
- T-bar roller
- CurveFlow™ distribution area
- Glued gasket
- ClipGrip™ gasket attachment
- Offset gasket groove
- OmegaPort™ noncircular port holes
- Leak chamber



- Elongated nut
- FlexFlow™ plate design
- Compact frame
- Bearing boxes
- Fixed bolt head
- Key hole bolt opening
- Lifting lug
- Lining
- Lock washer
- Tightening bolt cover

Alfa Laval 360° Service Portfolio

Our extensive service offering ensure top performance from your Alfa Laval equipment throughout its life cycle. The Alfa Laval 360 Service Portfolio include installation services, cleaning and repair as well as spare parts, technical documentation and trouble shooting. We also offer replacement, retrofit, monitoring and much more.

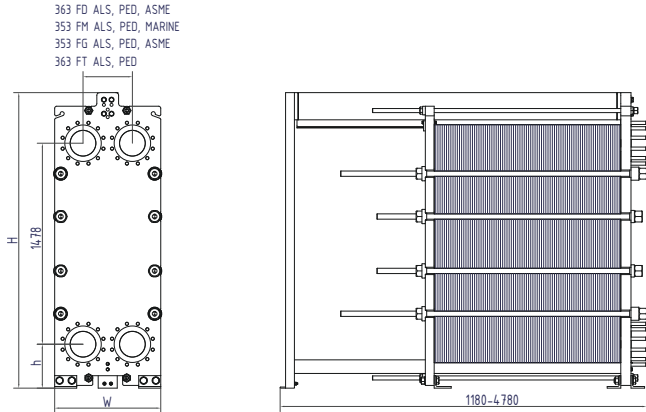
For information about our complete service offering and how to contact us - please visit www.alfalaval.com/service.

General remarks for technical information

- The global offering presented in this leaflet may not be available for all regions
- All combinations may not be configurable

Dimensional drawing

Measurements mm (inches)



Frame type	H	W	h
FM ALS, PED, Marine ¹	2082.5 (81.9")	755 (29.7")	280 (11.0")
FG ALS, PED, ASME	2135 (84.0")	780 (30.7")	285 (11.2")
FD ALS, PED, ASME	2173 (85.5")	780 (30.7")	323 (12.7")
FT ALS, PED	2173 (85.5")	780 (30.7")	323 (12.7")

¹ Marine includes the PV-codes: ABS, BV, CCS, ClassNK, DNV, KR, LR, RINA, and RMRS.

Technical data

Plates	Type	Free channel, mm (inches)
T21-M	Single plate	3.97 (0.15)
T21-P	Single plate	2.8 (0.11)
T21-B	Single plate	1.92 (0.075)

Materials

Heat transfer plates	304, 316, 254, C-276, C-2000, Alloy 33, G30, Ni, Ti
Field gaskets	NBR, EPDM, FKM, HNBR, HeatSeal
	Metal lined: stainless steel, 254, C-276, D-205,
Flange connections	TiPd, nickel, titanium Rubber lined: NBR
Frame and pressure plate	Carbon steel, epoxy painted

Other materials may be available on request

Operational data

Frame type	Max. design pressure (barg/psig)	Max. design temperature (°C/°F)
FM, pvcALS	10.4/151	200/392
FM, PED	10.4/151	200/392
FM, Marine ¹	10.4/151	100/212
FG, pvcALS	16.0/232	200/392
FG, ASME	10.4/151	250/482
FG, PED	16.0/232	200/392
FD, pvcALS	25.0/362	200/392
FD, ASME	21.0/304	250/482
FD, PED	25.0/362	200/392
FT, PED	40.0/580	200/392
FT, ALS	40.0/580	200/392

¹ Marine standard includes the standards: ABS, BV, CCS, ClassNK, DNV, KR, LR, RINA, and RMRS.

Extended pressure and temperature rating may be available on request.

Flange connections

Frame type	Connection standard
FM, pvcALS	EN 1092-1 DN200 PN10
	ASME B16.5 Class 150 NPS 8
	JIS B2220 10K 200A
FM, PED	EN 1092-1 DN200 PN10
	ASME B16.5 Class 150 NPS 8
FM, Marine ¹	EN 1092-1 DN200 PN10
	ASME B16.5 Class 150 NPS 8
	JIS B2220 10K 200A
FG, pvcALS	EN 1092-1 DN200 PN16
	EN 1092-1 DN200 PN25
	ASME B16.5 Class 150 NPS 8
	JIS B2220 10K 200A
	JIS B2220 16K 200A
FG, ASME	ASME B16.5 Class 150 NPS 8
	EN 1092-1 PN16
FG, PED	EN 1092-1 DN200 PN10
	EN 1092-1 DN200 PN16
	EN 1092-1 DN200 PN25
FD, pvcALS	ASME B16.5 Class 150 NPS 8
	EN 1092-1 DN200 PN25
	ASME B16.5 Class 300 NPS 8
FD, ASME	JIS B2220 20K 200A
	EN1092-1 PN25
	ASME B16.5 Class 300 NPS 8
FD, PED	EN 1092-1 DN200 PN25
	ASME B16.5 Class 300 NPS 8
FT, ALS	EN 1092-1 DN200 PN40
	ASME B16.5 Class 300 NPS 8
	ASME B16.5 Class 400 NPS 8
	JIS B2220 200A 30K
FT, PED	EN 1092-1 DN200 PN40
	ASME B16.5 Class 300 NPS 8
	ASME B16.5 Class 400 NPS 8

¹ Marine includes the standards: ABS, BV, CCS, DNV, ClassNK, KR, LR, RINA, and RMRS.

Standard EN1092-1 corresponds to GOST 12815-80 and GB/T 9115.

This document and its contents are subject to copyrights and other intellectual property rights owned by Alfa Laval Corporate AB. No part of this document may be copied, re-produced or transmitted in any form or by any means, or for any purpose, without Alfa Laval Corporate AB's prior express written permission. Information and services provided in this document are made as a benefit and service to the user, and no representations or warranties are made about the accuracy or suitability of this information and these services for any purpose. All rights are reserved.

Hotline: Ms. Quỳnh PHE – 0931-576-256